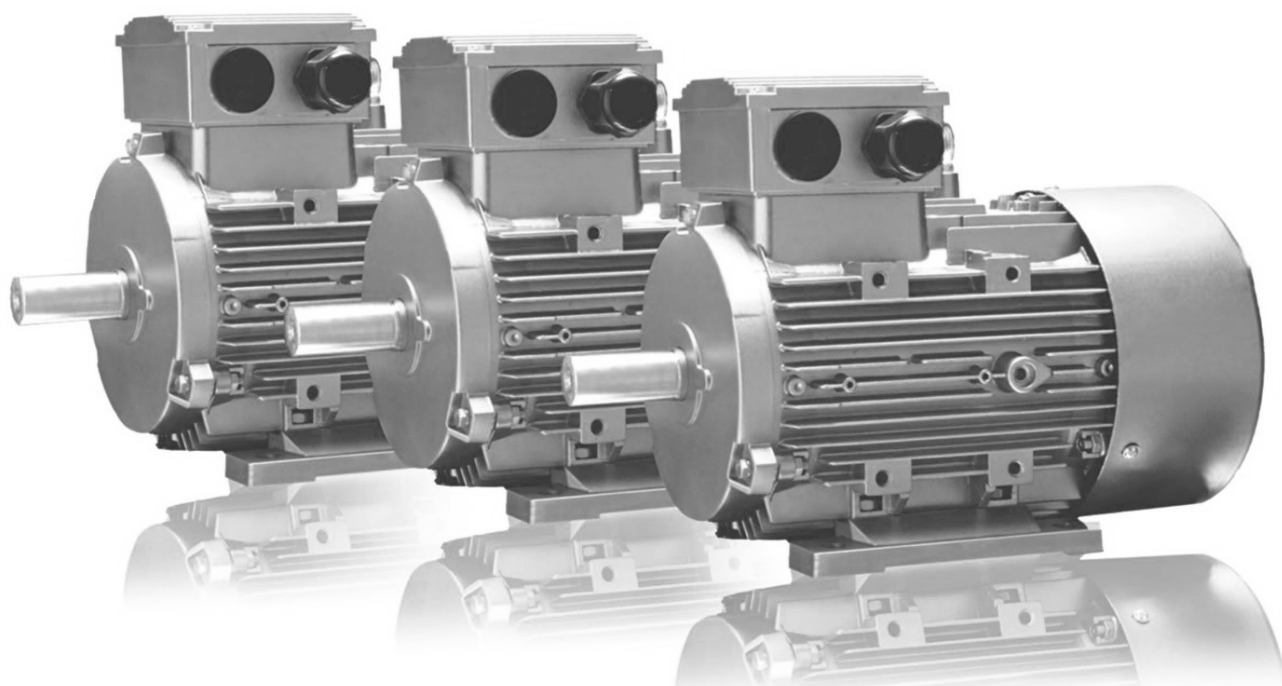


- ▶ **ATG Energiespar Drehstromantriebe IE4, IE3, IE2, IE1/ATG Energy Saving AC Motors**
- Getriebemotoren/GearMotors**
- Frequenzumrichter/Frequency Converter**
- DC Motoren/DC Motors**
- Synchron-Generatoren/Synchron Generators**
- Transformatoren/Transformators**

Preise Pricelist

2020/ 2021 Listenpreise/list-prices



Aluminium 2-polig • Synchron-Drehzahl 3000 U/min

Aluminium 2-poles • synchron-speed 3000 rpm

Listenverkaufspreis
List sale price

| Bau- größe | Leistung kW | Welle d (mm) | Fußbohrung IM B3 (mm) | | Flansch IM B5 (mm) | | | Flansch IM B14 klein (mm) | | | IE1 Stück- preis Unit price IM B3 | IE2 Stück- preis Unit price IM B3 | IE3 Stück- preis Unit price IM B3 | IE4 Stück- preis Unit price IM B3 |
|---------------|----------------|-----------------|----------------------------|-----|--------------------------|-----|-----|---------------------------------|-----|-----|--|--|--|--|
| | | | Hole spacing IM B3 (mm) | | Flange IM B5 (mm) | | | Flange IM B14 small (mm) | | | | | | |
| | | | A | B | P | M | N | P | M | N | | | | |
| 56A | 0,09 | 9x20 | 90 | 71 | 120 | 120 | 80 | 80 | 65 | 50 | 82,50 € | - | - | - |
| 56B | 0,12 | 9x20 | 90 | 71 | 120 | 100 | 80 | 80 | 65 | 50 | 85,00 € | 95,00 € | 107,50 € | - |
| 63A | 0,18 | 11x23 | 100 | 80 | 140 | 115 | 95 | 90 | 75 | 60 | 87,50 € | 97,50 € | 110,00 € | - |
| 63B | 0,25 | 11x23 | 100 | 80 | 140 | 115 | 95 | 90 | 75 | 60 | 100,00 € | 112,50 € | 125,00 € | - |
| 63 | 0,37 | 11x23 | 100 | 80 | 140 | 115 | 95 | 90 | 75 | 60 | 102,50 € | - | - | - |
| 71A | 0,37 | 14x30 | 112 | 90 | 160 | 130 | 110 | 105 | 85 | 70 | 107,50 € | 120,00 € | 137,50 € | - |
| 71B | 0,55 | 14x30 | 112 | 90 | 160 | 130 | 110 | 105 | 85 | 70 | 122,50 € | 137,50 € | 150,00 € | - |
| 71 | 0,75 | 14x30 | 112 | 90 | 160 | 130 | 110 | 105 | 85 | 70 | - | 162,50 € | - | - |
| 80A | 0,75 | 19x40 | 125 | 100 | 200 | 165 | 130 | 120 | 100 | 80 | - | 172,50 € | 195,00 € | 215,00 € |
| 80B | 1,1 | 19x40 | 125 | 100 | 200 | 165 | 130 | 120 | 100 | 80 | - | 185,00 € | 215,00 € | 235,00 € |
| 80 | 1,5 | 19x40 | 125 | 100 | 200 | 165 | 130 | 120 | 100 | 80 | - | 212,50 € | 235,00 € | - |
| 90S | 1,5 | 24x50 | 140 | 100 | 200 | 165 | 130 | 140 | 115 | 95 | - | 217,50 € | 245,00 € | 308,00 € |
| 90L | 2,2 | 24x50 | 140 | 125 | 200 | 165 | 130 | 140 | 115 | 90 | - | 245,00 € | 312,50 € | 363,00 € |
| 90 | 3 | 24x50 | 140 | 125 | 200 | 165 | 130 | 140 | 115 | 90 | - | 295,00 € | 325,00 € | - |
| 100LA | 3 | 28x60 | 160 | 140 | 250 | 215 | 180 | 160 | 130 | 110 | - | 335,00 € | 390,00 € | 453,00 € |
| 100 | 4 | 28x60 | 160 | 140 | 250 | 215 | 180 | 160 | 130 | 110 | - | 372,50 € | 407,50 € | - |
| 112M | 4 | 28x60 | 190 | 140 | 250 | 215 | 180 | 160 | 130 | 110 | - | 432,50 € | 470,00 € | 585,00 € |
| 112 | 5,5 | 28x60 | 190 | 140 | 250 | 215 | 180 | 160 | 130 | 110 | - | 497,50 € | 547,50 € | - |
| 132SA | 5,5 | 38x80 | 216 | 140 | 300 | 265 | 230 | 200 | 165 | 130 | - | 605,00 € | 657,50 € | *788,00 € |
| 132SB | 7,5 | 38x80 | 216 | 140 | 300 | 265 | 230 | 200 | 165 | 130 | - | 670,00 € | 727,50 € | *890,00 € |
| 132M | 11 | 38x80 | 216 | 178 | 300 | 265 | 230 | 200 | 165 | 130 | - | 900,00 € | 970,00 € | - |

Mehrpreis +5% für Bauform B5 / B14K / B14G / Additional price +5% for IMB5 / B14K / B14G

Mehrpreis +10% für Bauform B35 / B34K / B34G / Additional price +10% for IMB35 / B34K / B34G

* IE4 Motoren Baugröße ≥132 in Grauguss / IE4 Motors size ≥132 in cast iron

B14G Maße siehe Katalog / B14G see catalog for dimensions

Aluminium 4-polig • Synchron-Drehzahl 1500 U/min

Aluminium 4-poles • synchron-speed 1500 rpm

Listenverkaufspreis
List sale price

| Bau- größe | Leistung kW | Welle d (mm) | Fußbohrung IM B3 (mm) | | Flansch IM B5 (mm) | | | Flansch IM B14 klein (mm) | | | IE1 Stück- preis Unit price IM B3 | IE2 Stück- preis Unit price IM B3 | IE3 Stück- preis Unit price IM B3 | IE4 Stück- preis Unit price IM B3 |
|---------------|----------------|-----------------|----------------------------|-------------------------|--------------------------------|-----|-----|---------------------------------|-----|-----|--|--|--|--|
| | | | Hole spacing IM B3 (mm) | Flange IM B5 (mm) | Flange IM B14 small (mm) | A | B | P | M | N | | | | |
| 56A | 0,06 | 9x20 | 90 | 71 | 120 | 100 | 80 | 80 | 65 | 50 | 80,00 € | - | - | - |
| 56B | 0,09 | 9x20 | 90 | 71 | 120 | 100 | 80 | 80 | 65 | 50 | 87,50 € | - | - | - |
| 63A | 0,12 | 11x23 | 100 | 80 | 140 | 115 | 95 | 90 | 75 | 60 | 92,50 € | 105,00 € | 117,50 € | - |
| 63B | 0,18 | 11x23 | 100 | 80 | 140 | 115 | 95 | 90 | 75 | 60 | 95,00 € | 107,50 € | 120,00 € | - |
| 63 | 0,25 | 11x23 | 100 | 80 | 140 | 115 | 95 | 90 | 75 | 60 | 97,50 € | - | - | - |
| 71A | 0,25 | 14x30 | 112 | 90 | 160 | 130 | 110 | 105 | 85 | 70 | 105,00 € | 125,00 € | 135,00 € | - |
| 71B | 0,37 | 14x30 | 112 | 90 | 160 | 130 | 110 | 105 | 85 | 70 | 120,00 € | 142,50 € | 155,00 € | - |
| 71 | 0,55 | 14x30 | 112 | 90 | 160 | 130 | 110 | 105 | 85 | 70 | 125,00 € | - | - | - |
| 80A | 0,55 | 19x40 | 125 | 100 | 200 | 165 | 130 | 120 | 100 | 80 | 140,00 € | 165,00 € | 207,50 € | 218,00 € |
| 80B | 0,75 | 19x40 | 125 | 100 | 200 | 165 | 130 | 120 | 100 | 80 | - | 182,50 € | 222,50 € | 235,00 € |
| 80 | 1,1 | 19x40 | 125 | 100 | 200 | 165 | 130 | 120 | 100 | 80 | - | 202,50 € | 245,00 € | - |
| 90S | 1,1 | 24x50 | 140 | 100 | 200 | 165 | 130 | 140 | 115 | 95 | - | 212,50 € | 267,50 € | 288,00 € |
| 90L | 1,5 | 24x50 | 140 | 125 | 200 | 165 | 130 | 140 | 115 | 90 | - | 252,50 € | 325,00 € | 348,00 € |
| 90 | 2,2 | 24x50 | 140 | 125 | 200 | 165 | 130 | 140 | 115 | 90 | - | 282,50 € | 367,50 € | - |
| 100LA | 2,2 | 28x60 | 160 | 140 | 250 | 215 | 180 | 160 | 130 | 110 | - | 335,00 € | 410,00 € | 450,00 € |
| 100LB | 3 | 28x60 | 160 | 140 | 250 | 215 | 180 | 160 | 130 | 110 | - | 392,50 € | 480,00 € | 520,00 € |
| 100 | 4 | 28x60 | 160 | 140 | 250 | 215 | 180 | 160 | 130 | 110 | - | 482,50 € | 555,00 € | - |
| 112M | 4 | 28x60 | 190 | 140 | 250 | 215 | 180 | 160 | 130 | 110 | - | 460,00 € | 585,00 € | 633,00 € |
| 112 | 5,5 | 28x60 | 190 | 140 | 250 | 215 | 180 | 160 | 130 | 110 | - | 652,50 € | 705,00 € | - |
| 132S | 5,5 | 38x80 | 216 | 140 | 300 | 265 | 230 | 200 | 165 | 130 | - | 610,00 € | 780,00 € | 848,00 € |
| 132M | 7,5 | 38x80 | 216 | 178 | 300 | 265 | 230 | 200 | 165 | 130 | - | 702,50 € | 900,00 € | 975,00 € |
| 132 | 11 | 38x80 | 216 | 178 | 300 | 265 | 230 | 200 | 165 | 130 | - | 865,00 € | 1.065,00 € | - |

Mehrpreis +5% für Bauform B5 / B14K / B14G / Additional price +5% for IMB5 / B14K / B14G

Mehrpreis +10% für Bauform B35 / B34K / B34G / Additional price +10% for IMB35 / B34K / B34G

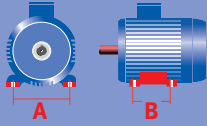
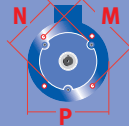
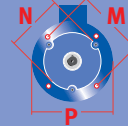
* IE4 Motoren Baugröße >=132 in Grauguss / IE4 Motors size >=132 in cast iron

B14G Maße siehe Katalog / B14G see catalog for dimensions

Alle genannten Preise verstehen sich zzgl. aktuellem Materialteuerungszuschlag und gesetzlicher MwSt. Preise inkl. Kupfer.
All prices are quoted exclusive of material surcharge and statutory VAT. Prices include Chopper.

Aluminium 6-polig • Synchron-Drehzahl 1000 U/min Aluminium 6-poles • synchron-speed 1000 rpm

Listenverkaufspreis
List sale price

| Bau- größe Size | Leistung kW Power kW | Welle d (mm) Shaft d (mm) | Fußbohrung IM B3 (mm) Hole spacing IM B3 (mm) | | Flansch IM B5 (mm) Flange IM B5 (mm) | | | Flansch IM B14 klein (mm) Flange IM B14 small (mm) | | | IE1 Stück- preis Unit price IM B3 | IE2 Stück- preis Unit price IM B3 | IE3 Stück- preis Unit price IM B3 | IE4 Stück- preis Unit price IM B3 |
|---------------------------|-----------------------------------|--|---|-----|---|-----|-----|---|-----|-----|--|--|--|--|
| | | | A | B | P | M | N | P | M | N | | | | |
| | | |  | |  | | |  | | | | | | |
| 71A | 0,18 | 14x30 | 112 | 90 | 160 | 130 | 110 | 105 | 85 | 70 | 112,50 € | 135,00 € | 152,50 € | - |
| 71B | 0,25 | 14x30 | 112 | 90 | 160 | 130 | 110 | 105 | 85 | 70 | 130,00 € | 145,00 € | 155,00 € | - |
| 71 | 0,37 | 14x30 | 112 | 90 | 160 | 130 | 110 | 105 | 85 | 70 | 140,00 € | - | - | - |
| 80A | 0,37 | 19,40 | 125 | 100 | 200 | 165 | 130 | 120 | 100 | 80 | 147,50 € | 172,50 € | 225,00 € | - |
| 80B | 0,55 | 19x40 | 125 | 100 | 200 | 165 | 130 | 120 | 100 | 80 | 160,00 € | 200,00 € | 240,00 € | - |
| 80 | 0,75 | 19x40 | 125 | 100 | 200 | 165 | 130 | 120 | 100 | 80 | - | 220,00 € | - | - |
| 90S | 0,75 | 24x50 | 140 | 100 | 200 | 165 | 130 | 140 | 115 | 90 | - | 235,00 € | 255,00 € | - |
| 90L | 1,1 | 24x50 | 140 | 125 | 200 | 165 | 130 | 140 | 115 | 90 | - | 270,00 € | 292,50 € | - |
| 100L | 1,5 | 28x60 | 160 | 140 | 250 | 215 | 180 | 160 | 130 | 110 | - | 345,00 € | 372,50 € | 430,00 € |
| 112M | 2,2 | 28x60 | 190 | 140 | 250 | 215 | 180 | 160 | 130 | 110 | - | 402,50 € | 437,50 € | 530,00 € |
| 112 | 3 | 28x60 | 190 | 140 | 250 | 215 | 180 | 160 | 130 | 110 | - | 485,00 € | - | - |
| 132SA | 3 | 38x80 | 216 | 140 | 300 | 265 | 230 | 200 | 165 | 130 | - | 535,00 € | 577,50 € | *725,00 € |
| 112 | 4 | 28x60 | 190 | 140 | 250 | 215 | 180 | 160 | 130 | 110 | - | 552,50 € | - | - |
| 132MA | 4 | 38x80 | 216 | 178 | 300 | 265 | 230 | 200 | 165 | 130 | - | 657,50 € | 735,00 € | *823,00 € |
| 132MB | 5,5 | 38x80 | 216 | 178 | 300 | 265 | 230 | 200 | 165 | 130 | - | 707,50 € | 797,50 € | *948,00 € |
| 132 | 7,5 | 38x80 | 216 | 178 | 300 | 265 | 230 | 200 | 165 | 130 | - | 875,00 € | - | - |

* IE4 Motoren Baugröße ≥132 in Grauguss / IE4 Motors size ≥132 in cast iron

B14G Maße siehe Katalog / B14G see catalog for dimensions

Aluminium 8-polig • Synchron-Drehzahl 750 U/min Aluminium 8-poles • synchron-speed 750 rpm

| | | | | | | | | | | | | | | |
|-------|------|-------|-----|-----|-----|-----|-----|-----|-----|-----|----------|----------|----------|---|
| 90S | 0,37 | 24x50 | 140 | 100 | 200 | 165 | 130 | 140 | 115 | 95 | 202,50 € | 247,50 € | 275,00 € | - |
| 90L | 0,55 | 24x50 | 140 | 125 | 200 | 165 | 130 | 140 | 115 | 95 | 220,00 € | 280,00 € | 312,50 € | - |
| 100LA | 0,75 | 28x60 | 160 | 140 | 250 | 215 | 180 | 160 | 130 | 110 | 267,50 € | 325,00 € | 360,00 € | - |
| 100LB | 1,1 | 28x60 | 160 | 140 | 250 | 215 | 180 | 160 | 130 | 110 | 300,00 € | 352,50 € | 392,50 € | - |
| 112M | 1,5 | 28x60 | 190 | 140 | 250 | 215 | 180 | 160 | 130 | 110 | 367,50 € | 432,50 € | 480,00 € | - |
| 132S | 2,2 | 38x80 | 216 | 140 | 300 | 265 | 230 | 200 | 165 | 130 | 477,50 € | 572,50 € | 635,00 € | - |
| 132M | 3 | 38x80 | 216 | 140 | 300 | 265 | 230 | 200 | 165 | 130 | 555,00 € | 645,00 € | 715,00 € | - |

Mehrpriis +5% für Bauform B5 / B14K / B14G / Additional price +5% for IMB5 / B14K / B14G

Mehrpriis +10% für Bauform B35 / B34K / B34G / Additional price +10% for IMB35 / B34K / B34G

Alle genannten Preise verstehen sich zzgl. aktuellem Materialteuerungszuschlag und gesetzlicher MwSt. Preise inkl. Kupfer.
All prices are quoted exclusive of material surcharge and statutory VAT. Prices include Chopper.

Grauguss 2-polig • Synchron-Drehzahl 3000 U/min Cast iron 2-poles • synchron-speed 3000 rpm

Listenverkaufspreis
List sale price

| Bau- größe Size | Leistung kW Power kW | Welle d (mm) Shaft d (mm) | Fußbohrung IM B3 (mm) Hole spacing IM B3 (mm) | | Flansch IM B5 (mm) Flange IM B5 (mm) | | | Flansch IM B14 klein (mm) Flange IM B14 small (mm) | | | IE2 Stück- preis Unit price IM B3 | IE3 Stück- preis Unit price IM B3 | IE4 Stück- preis Unit price IM B3 |
|---------------------------|-----------------------------------|--|--|-----|---|-----|-----|---|-----|-----|--|--|--|
| | | | A | B | P | M | N | P | M | N | | | |
| | | | | | | | | | | | | | |
| 160MA | 11 | 42x110 | 254 | 210 | 350 | 300 | 250 | 250 | 215 | 180 | 850,00 € | 922,50 € | 1.213,00 € |
| 160MB | 15 | 42x110 | 254 | 210 | 350 | 300 | 250 | 250 | 215 | 180 | 965,00 € | 1.047,50 € | 1.258,00 € |
| 160L | 18,5 | 42x110 | 254 | 254 | 350 | 300 | 250 | 250 | 215 | 180 | 1.140,00 € | 1.237,50 € | 1.445,00 € |
| 180M | 22 | 48x110 | 279 | 241 | 350 | 300 | 250 | - | - | - | 1.417,50 € | 1.540,00 € | 2.000,00 € |
| 200LA | 30 | 55x110 | 318 | 305 | 400 | 350 | 300 | - | - | - | 2.060,00 € | 2.115,00 € | 2.660,00 € |
| 200LB | 37 | 55x110 | 318 | 305 | 400 | 350 | 300 | - | - | - | 2.182,50 € | 2.345,00 € | 2.820,00 € |
| 225M | 45 | 55x110 | 356 | 311 | 450 | 400 | 350 | - | - | - | 2.547,50 € | 2.677,50 € | 3.413,00 € |
| 250M | 55 | 60x140 | 406 | 349 | 550 | 500 | 450 | - | - | - | 3.145,00 € | 3.692,50 € | 4.340,00 € |
| 280S | 75 | 65x140 | 457 | 368 | 550 | 500 | 450 | - | - | - | 4.465,00 € | 4.870,00 € | 5.638,00 € |
| 280M | 90 | 65x140 | 457 | 419 | 550 | 500 | 450 | - | - | - | 5.070,00 € | 5.275,00 € | 6.060,00 € |
| 315S | 110 | 65x140 | 508 | 406 | 660 | 600 | 550 | - | - | - | 8.050,00 € | 8.825,00 € | 9.823,00 € |
| 315M | 132 | 65x140 | 508 | 457 | 660 | 600 | 550 | - | - | - | 8.585,00 € | 9.265,00 € | 10.608,00 € |
| 315LA | 160 | 65x140 | 508 | 508 | 660 | 600 | 550 | - | - | - | 9.195,00 € | 9.917,50 € | 11.278,00 € |
| 315LC | 200 | 65x140 | 508 | 508 | 660 | 600 | 550 | - | - | - | 9.622,50 € | 10.527,50 € | 12.028,00 € |
| 355MB | 250 | 80x140 | 610 | 630 | 800 | 740 | 680 | - | - | - | 15.990,00 € | 17.450,00 € | 19.635,00 € |
| 355LB | 315 | 80x140 | 610 | 630 | 800 | 740 | 680 | - | - | - | 17.150,00 € | 18.350,00 € | 21.735,00 € |
| 355 ¹ | 355 | * | | | | | | - | - | - | 25.687,50 € | 28.545,00 € | - |
| 355 ² | 400 | * | | | | | | - | - | - | 28.200,00 € | 31.335,00 € | - |
| 355 ³ | 450 | * | | | | | | - | - | - | 31.375,00 € | 34.865,00 € | - |
| 400LA | 500 | * | | | | | | - | - | - | 41.652,50 € | 46.280,00 € | - |
| 400LB | 560 | * | | | | | | - | - | - | 41.993,00 € | 46.586,00 € | - |
| 400LC | 630 | * | | | | | | - | - | - | 42.505,00 € | 47.227,50 € | - |

Mehrpreis +5% für Bauform B5 / B14K / B14G / Additional price +5% for IMB5 / B14K / B14G

Mehrpreis +10% für Bauform B35 / B34K / B34G / Additional price +10% for IMB35 / B34K / B34G

B14G Maße siehe Katalog / B14G see catalog for dimensions

Motoren >=BG355 nur in Bauform B3, B35, V1/ Motors >=BG355 only in B3, B35, V1

*Unterschiedliche Ausführungen von Welle und Befestigungsmaße möglich

*Different designs of shaft and mounting dimensions possible

Alle genannten Preise verstehen sich zzgl. aktuellem Materialteuerungszuschlag und gesetzlicher MwSt. Preise inkl. Kupfer.
All prices are quoted exclusive of material surcharge and statutory VAT. Prices include Chopper.

Grauguss 4-polig • Synchron-Drehzahl 1500 U/min Cast iron 4-poles • synchron-speed 1500 rpm

Listenverkaufspreis
List sale price

| Bau- größe Size | Leistung kW Power kW | Welle d (mm) Shaft d (mm) | Fußbohrung IM B3 (mm) Hole spacing IM B3 (mm) | | Flansch IM B5 (mm) Flange IM B5 (mm) | | | Flansch IM B14 klein (mm) Flange IM B14 small (mm) | | | IE2 Stück- preis Unit price IM B3 | IE3 Stück- preis Unit price IM B3 | IE4 Stück- preis Unit price IM B3 |
|---------------------------|-----------------------------------|--|--|-----|---|-----|-----|---|-----|-----|--|--|--|
| | | | A | B | P | M | N | P | M | N | | | |
| 160MA | 11 | 42x110 | 254 | 210 | 350 | 300 | 250 | 250 | 215 | 180 | 850,00 € | 922,50 € | 1.105,00 € |
| 160L | 15 | 42x110 | 254 | 254 | 350 | 300 | 250 | 250 | 215 | 180 | 1.030,00 € | 1.122,50 € | 1.330,00 € |
| 180M | 18,5 | 48x110 | 279 | 241 | 350 | 300 | 250 | - | - | - | 1.340,00 € | 1.455,00 € | 1.765,00 € |
| 180L | 22 | 48x110 | 279 | 279 | 350 | 300 | 250 | - | - | - | 1.455,00 € | 1.580,00 € | 1.913,00 € |
| 200LA | 30 | 55x110 | 318 | 305 | 400 | 350 | 300 | - | - | - | 1.917,50 € | 2.080,00 € | 2.480,00 € |
| 225S | 37 | 60x140 | 356 | 286 | 450 | 400 | 350 | - | - | - | 2.357,50 € | 2.530,00 € | 3.055,00 € |
| 225M | 45 | 60x140 | 356 | 311 | 450 | 400 | 350 | - | - | - | 2.732,50 € | 2.957,50 € | 3.308,00 € |
| 250M | 55 | 65x140 | 406 | 349 | 550 | 500 | 450 | - | - | - | 3.400,00 € | 3.697,50 € | 4.113,00 € |
| 280S | 75 | 75x140 | 457 | 368 | 550 | 500 | 450 | - | - | - | 4.295,00 € | 4.672,50 € | 5.513,00 € |
| 280M | 90 | 75x140 | 457 | 419 | 550 | 500 | 450 | - | - | - | 4.742,50 € | 5.145,50 € | 6.065,00 € |
| 315S | 110 | 80x170 | 508 | 406 | 660 | 600 | 550 | - | - | - | 7.662,50 € | 8.317,50 € | 8.898,00 € |
| 315M | 132 | 80x170 | 508 | 457 | 660 | 600 | 550 | - | - | - | 8.255,00 € | 8.950,00 € | 10.068,00 € |
| 315LA | 160 | 80x170 | 508 | 508 | 660 | 600 | 550 | - | - | - | 9.450,00 € | 10.257,50 € | 11.288,00 € |
| 315LC | 200 | 80x170 | 508 | 508 | 660 | 600 | 550 | - | - | - | 9.955,00 € | 10.900,00 € | 12.420,00 € |
| 355MB | 250 | 100x170 | 610 | 630 | 800 | 740 | 680 | - | - | - | 14.980,00 € | 15.507,50 € | 18.445,00 € |
| 355LB | 315 | 100x170 | 610 | 630 | 800 | 740 | 680 | - | - | - | 17.152,50 € | 17.855,00 € | 21.003,00 € |
| 355 ¹ | 355 | * | | | | | | - | - | - | 26.507,05 € | 29.535,00 € | - |
| 400MA | 400 | * | | | | | | - | - | - | 38.165,00 € | 42.405,00 € | - |
| 400MB | 450 | * | | | | | | - | - | - | 39.847,50 € | 44.385,00 € | - |
| 400LA | 500 | * | | | | | | - | - | - | 43.065,00 € | 47.847,50 € | - |
| 400LB | 560 | * | | | | | | - | - | - | 44.085,00 € | 48.980,00 € | - |
| 400LC | 630 | * | | | | | | - | - | - | 47.107,50 € | 52.340,00 € | - |

Mehrprijs +5% für Bauform B5 / B14K / B14G / Additional price +5% for IMB5 / B14K / B14G

Mehrprijs +10% für Bauform B35 / B34K / B34G / Additional price +10% for IMB35 / B34K / B34G

B14G Maße siehe Katalog / B14G see catalog for dimensions

Motoren >=BG355 nur in Bauform B3, B35, V1 / Motors >=BG355 only in B3, B35, V1

*Unterschiedliche Ausführungen von Welle und Befestigungsmaße möglich

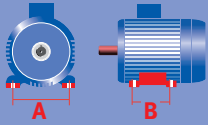
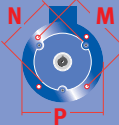
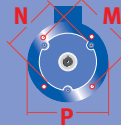
*Different designs of shaft and mounting dimensions possible

Alle genannten Preise verstehen sich zzgl. aktuellem Materialteuerungszuschlag und gesetzlicher MwSt. Preise inkl. Kupfer.

All prices are quoted exclusive of material surcharge and statutory VAT. Prices include Chopper.

Grauguss 6-polig • Synchron-Drehzahl 1000 U/min Cast iron 6-poles • synchron-speed 1000 rpm

Listenverkaufspreis
List sale price

| Bau- größe Size | Leistung kW Power kW | Welle d (mm) Shaft d (mm) | Fußbohrung IM B3 (mm) Hole spacing IM B3 (mm) | | Flansch IM B5 (mm) Flange IM B5 (mm) | | | Flansch IM B14 klein (mm) Flange IM B14 small (mm) | | | IE2 Stück- preis Unit price IM B3 | IE3 Stück- preis Unit price IM B3 | IE4 Stück- preis Unit price IM B3 |
|---------------------------|-----------------------------------|--|---|-----|---|-----|-----|--|-----|-----|--|--|--|
| | | | A | B | P | M | N | P | M | N | | | |
| | | |  | |  | | |  | | | | | |
| 160MA | 7,5 | 42x110 | 254 | 210 | 350 | 300 | 250 | 250 | 215 | 180 | 840,00 € | 917,50 € | 1.153,00 € |
| 160L | 11 | 42x110 | 254 | 254 | 350 | 300 | 250 | 250 | 215 | 180 | 1.025,00 € | 1.115,00 € | 1.283,00 € |
| 180L | 15 | 48x110 | 279 | 279 | 350 | 300 | 250 | - | - | - | 1.447,50 € | 1.565,00 € | 1.763,00 € |
| 200LA | 18,5 | 55x110 | 318 | 305 | 400 | 350 | 300 | - | - | - | 1.672,50 € | 1.822,50 € | 2.080,00 € |
| 200LB | 22 | 55x110 | 318 | 305 | 400 | 350 | 300 | - | - | - | 1.852,50 € | 1.952,50 € | 2.293,00 € |
| 225M | 30 | 60x140 | 356 | 311 | 450 | 400 | 350 | - | - | - | 2.490,00 € | 2.800,00 € | 3.068,00 € |
| 250M | 37 | 65x140 | 406 | 349 | 550 | 500 | 450 | - | - | - | 3.185,00 € | 3.505,00 € | 3.910,00 € |
| 280S | 45 | 75x140 | 457 | 368 | 550 | 500 | 450 | - | - | - | 3.830,00 € | 4.195,00 € | 4.650,00 € |
| 280M | 55 | 75x140 | 457 | 419 | 550 | 500 | 450 | - | - | - | 4.607,50 € | 5.037,50 € | 5.415,00 € |
| 315S | 75 | 80x170 | 508 | 406 | 660 | 600 | 550 | - | - | - | 7.350,00 € | 8.035,00 € | 8.795,00 € |
| 315M | 90 | 80x170 | 508 | 457 | 660 | 600 | 550 | - | - | - | 8.400,00 € | 9.175,00 € | 9.630,00 € |
| 315LA | 110 | 80x170 | 508 | 508 | 660 | 600 | 550 | - | - | - | 9.475,00 € | 10.350,00 € | 10.815,00 € |
| 315LB | 132 | 80x170 | 508 | 508 | 660 | 600 | 550 | - | - | - | 10.897,50 € | 11.575,00 € | 12.213,00 € |
| 355MA | 160 | 100x170 | 610 | 630 | 800 | 740 | 680 | - | - | - | 16.800,00 € | 18.200,00 € | 19.095,00 € |
| 355MC | 200 | 100x170 | 610 | 630 | 800 | 740 | 680 | - | - | - | 19.200,00 € | 20.800,00 € | 22.115,00 € |
| 355LB | 250 | 100x170 | 610 | 630 | 800 | 740 | 680 | - | - | - | 20.700,00 € | 22.187,50 € | 23.285,00 € |
| 355 ¹ | 315 | * | | | | | | - | - | - | 30.045,00 € | 33.385,00 € | - |
| 355 ² | 355 | * | | | | | | - | - | - | 34.465,00 € | 38.292,50 € | - |
| 355 ³ | 400 | * | | | | | | - | - | - | 38.132,50 € | 42.367,50 € | - |
| 400LB | 450 | * | | | | | | - | - | - | 46.365,00 € | 50.960,00 € | - |
| 400LC | 500 | * | | | | | | - | - | - | 48.835,00 € | 53.705,00 € | - |

Mehrpriis +5% für Bauform B5 / B14K / B14G / Additional price +5% for IMB5 / B14K / B14G

Mehrpriis +10% für Bauform B35 / B34K / B34G / Additional price +10% for IMB35 / B34K / B34G

*IE4 Motoren Baugröße >=132 in Grauguss / IE4 Motors size >=132 in cast iron

B14G Maße siehe Katalog / B14G see catalog for dimensions

Motoren >=BG355 nur in Bauform B3, B35, V1/ Motors >=BG355 only in B3, B35, V1

*Unterschiedliche Ausführungen von Welle und Befestigungsmaße möglich

*Different designs of shaft and mounting dimensions possible

Alle genannten Preise verstehen sich zzgl. aktuellem Materialteuerungszuschlag und gesetzlicher MwSt. Preise inkl. Kupfer.
All prices are quoted exclusive of material surcharge and statutory VAT. Prices include Chopper.

Grauguss 8-polig • Synchron-Drehzahl 750 U/min

Cast iron 8-poles • synchron-speed 750 rpm

Listenverkaufspreis
List sale price

| Bau- größe Size | Leistung kW Power kW | Welle d (mm) Sha. d (mm) | Fußbohrung IM B3 (mm) Hole spacing IM B3 (mm) | | Flansch IM B5 (mm) Flange IM B5 (mm) | | | Flansch IM B14 klein (mm) Flange IM B14 small (mm) | | | IE1 Stückpreis Unit price IM B3 | IE2 Stückpreis Unit price IM B3 | IE3 Stückpreis Unit price IM B3 |
|---------------------------|-----------------------------------|---------------------------------------|--|-----|---|-----|-----|---|-----|-----|---|---|---|
| | | | A | B | P | M | N | P | M | N | | | |
| 160MA | 4 | 42X110 | 254 | 210 | 350 | 300 | 250 | 250 | 215 | 180 | 685,00 € | 1.060,00 € | 1.180,00 € |
| 160MB | 5,5 | 42X110 | 254 | 210 | 350 | 300 | 250 | 250 | 215 | 180 | 765,00 € | 1.172,50 € | 1.305,00 € |
| 160L | 7,5 | 42X110 | 254 | 254 | 350 | 300 | 250 | 250 | 215 | 180 | 890,00 € | 1.385,00 € | 1.540,00 € |
| 180L | 11 | 48X110 | 279 | 279 | 350 | 300 | 250 | - | - | - | 1.245,00 € | 1.725,00 € | 1.915,00 € |
| 200LA | 15 | 55X110 | 318 | 305 | 400 | 350 | 300 | - | - | - | 1.605,00 € | 2.335,00 € | 2.595,00 € |
| 225S | 18,5 | 60X140 | 356 | 286 | 450 | 400 | 350 | - | - | - | 1.920,00 € | 2.725,00 € | 3.027,50 € |
| 225M | 22 | 60X140 | 356 | 311 | 450 | 400 | 350 | - | - | - | 2.157,50 € | 2.947,05 € | 3.275,00 € |
| 250M | 30 | 65X140 | 406 | 349 | 550 | 500 | 450 | - | - | - | 2.642,50 € | 4.365,00 € | 4.852,50 € |
| 280S | 37 | 75X140 | 457 | 368 | 550 | 500 | 450 | - | - | - | 3.255,00 € | 4.760,00 € | 5.287,50 € |
| 280M | 45 | 75X140 | 457 | 419 | 550 | 500 | 450 | - | - | - | 4.677,50 € | 5.887,05 € | 6.540,00 € |
| 315S | 55 | 80X170 | 508 | 406 | 660 | 600 | 550 | - | - | - | 5.807,50 € | 8.727,50 € | 9.700,00 € |
| 315M | 75 | 80X170 | 508 | 457 | 660 | 600 | 550 | - | - | - | 7.070,00 € | 10.305,00 € | 11.452,50 € |
| 315LA | 90 | 80X170 | 508 | 508 | 660 | 600 | 550 | - | - | - | 10.335,00 € | 11.200,00 € | 12.445,00 € |
| 315LB | 110 | 80X170 | 508 | 508 | 660 | 600 | 550 | - | - | - | 11.057,50 € | 12.112,05 € | 13.460,00 € |
| 355MA | 132 | 100X170 | 610 | 630 | 800 | 740 | 680 | - | - | - | 15.942,50 € | 17.860,00 € | 19.845,00 € |
| 355MB | 160 | 100X170 | 610 | 630 | 800 | 740 | 680 | - | - | - | 18.627,50 € | 19.672,50 € | 21.855,00 € |
| 355LB | 200 | 100X170 | 610 | 630 | 800 | 740 | 680 | - | - | - | 22.910,00 € | 24.765,00 € | 27.240,00 € |
| 355 ¹ | 225 | * | | | | | | - | - | - | - | 26.525,00 € | 34.472,50 € |
| 355 ² | 250 | * | | | | | | - | - | - | - | 29.273,00 € | 37.525,00 € |
| 355 ³ | 315 | * | | | | | | - | - | - | - | 35.045,00 € | 43.940,00 € |
| 400LB | 355 | * | | | | | | - | - | - | - | 55.613,00 € | 60.198,00 € |
| 400LC | 400 | * | | | | | | - | - | - | - | 58.933,00 € | 63.792,00 € |

Mehrpreis +5% für Bauform B5 / B14K / B14G / Additional price +5% for IMB5 / B14K / B14G

Mehrpreis +10% für Bauform B35 / B34K / B34G / Additional price +10% for IMB35 / B34K / B34G

* IE4 Motoren Baugröße >=132 in Grauguss / IE4 Motors size >=132 in cast iron

B14G Maße siehe Katalog / B14G see catalog for dimensions

Motoren >=BG355 nur in Bauform B3, B35, V1/ Motors >=BG355 only in B3, B35, V1

*Unterschiedliche Ausführungen von Welle und Befestigungsmaße möglich

*Different designs of shaft and mounting dimensions possible

Alle genannten Preise verstehen sich zzgl. aktuellem Materialteuerungszuschlag und gesetzlicher MwSt. Preise inkl. Kupfer.
All prices are quoted exclusive of material surcharge and statutory VAT. Prices include Chopper.

Listenpreis Ersatzteile List price spare parts

| Baugröße size | Lager- schild B3 A-Seite front endshield | Lager- schild B-Seite rear endshield | Flansch B5 flange | Flansch B14/klein flange B14 small | Flansch B14/groß flange B14 large | Fußpaar a pair feet | Lüfter- haube fan cover | Lüfter- flügel fan | Klemmen- kasten terminal box | Klemm- brett terminal board |
|------------------|--|--|-------------------------|---|--|------------------------|-------------------------------|--------------------------|---------------------------------------|--------------------------------------|
| 56 | 10,00 € | 10,00 € | 15,00 € | 15,00 € | 17,50 € | 10,00 € | 10,00 € | 7,50 € | 20,00 € | 5,00 € |
| 63 | 12,50 € | 12,50 € | 17,50 € | 17,50 € | 20,00 € | 12,50 € | 12,50 € | 10,00 € | 20,00 € | 5,00 € |
| 71 | 15,00 € | 15,00 € | 20,00 € | 20,00 € | 22,50 € | 15,00 € | 15,00 € | 11,25 € | 20,00 € | 5,00 € |
| 80 | 17,50 € | 17,50 € | 27,50 € | 25,00 € | 27,50 € | 17,50 € | 17,50 € | 12,50 € | 20,00 € | 6,25 € |
| 90 | 20,00 € | 20,00 € | 37,50 € | 30,00 € | 35,00 € | 20,00 € | 20,00 € | 13,75 € | 20,00 € | 6,25 € |
| 100 | 25,00 € | 25,00 € | 52,50 € | 35,00 € | 45,00 € | 25,00 € | 25,00 € | 15,00 € | 20,00 € | 6,25 € |
| 112 | 27,50 € | 27,50 € | 57,50 € | 40,00 € | 52,50 € | 27,50 € | 27,50 € | 17,50 € | 35,00 € | 10,00 € |
| 132 | 35,00 € | 35,00 € | 85,00 € | 47,50 € | 72,50 € | 35,00 € | 35,00 € | 22,50 € | 35,00 € | 10,00 € |
| 160 | 72,50 € | 72,50 € | 137,50 € | - | - | - | 40,00 € | 27,50 € | 67,50 € | 12,50 € |
| 180 | 90,00 € | 90,00 € | 180,00 € | - | - | - | 55,00 € | 47,50 € | 67,50 € | 12,50 € |
| 200 | 100,00 € | 100,00 € | 217,50 € | - | - | - | 80,00 € | 60,00 € | 112,50 € | 27,50 € |
| 225 | 125,00 € | 125,00 € | 287,50 € | - | - | - | 105,00 € | 67,50 € | 112,50 € | 27,50 € |
| 250 | 172,50 € | 172,50 € | 400,00 € | - | - | - | 120,00 € | 75,00 € | 165,00 € | 45,00 € |
| 280 | 225,00 € | 225,00 € | 462,50 € | - | - | - | 140,00 € | 85,00 € | 165,00 € | 45,00 € |
| 315 | 375,00 € | 375,00 € | 650,00 € | - | - | - | 187,50 € | 115,00 € | 307,50 € | 67,50 € |
| 355 | 537,50 € | 537,50 € | 975,00 € | - | - | - | 375,00 € | 135,00 € | 337,50 € | 87,50 € |

Preisstellung: unfrei ab Lager Göppingen / ex works Göppingen

Handlingpauschale 25,00 € bei Warenwert < 750,00€ / Handling fee of € 25.00 for a value of goods < € 750.00

Alle genannten Preise verstehen sich zzgl. aktuellem Materialteuerungszuschlag und gesetzlicher MwSt. Preise inkl. Kupfer.
All prices are quoted exclusive of material surcharge and statutory VAT. Prices include Chopper.

Listenmehrpreis Optionen

List price additional options

| | |
|--|---|
| Sonderspannung special voltage | + 15 % |
| Klemmenkasten seitlich Terminal box left r right | + 10 % |
| Tropenschutz Tropical protection | + 15 % |
| UL / CSA Ausführung UL / CSA versio nt | + 40 % |
| VIK-Ausführung VIK version | + 20 % (mindestens / at least 85 €) |
| CCC / CEL Zertifikat CCC / CEL certi cate | +20 % |
| Kondenswasserbohrung condensation drain hole | + 87,50 € |
| Schi sausführung ship version | + 30 % |
| Schutzart IP56 / IP65 protection class IP56 / IP65 | + 15 % (mindestens / at least 85 €) |
| Schutzdach raincover | + 15 % (mindestens / at least 65 €) |
| Kaltleiter / Bimetalle PTC / bimetals | + 50 € |
| Aluminium Gehäuse >=BG 160 Alu housing from size >= 160 | + 20 % |

| NU-Lager A-Seite / NU bearings Drive-End | |
|---|---------|
| Baugröße / size 160-180 | + 300 € |
| Baugröße / size 200 | + 350 € |
| Baugröße / size 225 | + 400 € |
| Baugröße / size 250 | + 450 € |
| Baugröße / size 280 | + 525 € |
| Baugröße / size 315 | + 650 € |

Alle Preise inkl. Einbau
 Weitere Ausführung auf Anfrage
 All prices include mounting
 More options on request

| Fremdlüfter / external fan 3 x 230 V | |
|---|--------------------------------|
| für Baugröße / for size | Stückpreis / Unit price |
| 63 | 335,00 € |
| 71 | 357,50 € |
| 80 | 395,00€ |
| 90 | 437,50 € |
| 100 | 475,00 € |
| 112 | 495,00€ |
| 132 | 587,50 € |
| 160 | 675,00 € |
| 180 | 895,00 € |
| 200 | 987,50 € |
| 225 | 1.487,50 € |
| 250 | 1.725,00 € |
| 280 | 2.337,50 € |
| 315 | 2.490,00 € |
| 355 | 2.587,50 € |

| Stillstandheizung / condensation heating | |
|---|--------------------------------|
| für Baugröße / for size | Stückpreis / Unit price |
| 132 | 162,50 € |
| 160 + 180 | 175,00 € |
| 200 + 225 | 187,50 € |
| 250 - 355 | 212,50 € |

| Isoliertes Lager B-Seite / isolated bearing Non-Drive-End | |
|--|--------------|
| Baugröße/ size 225 | + 1.275,00 € |
| Baugröße/ size 250 | + 1.362,50 € |
| Baugröße/ size 280 | + 1.850,00 € |
| Baugröße/ size 315 | + 1.987,50 € |
| Baugröße/ size 355 | + 2.975,00 € |

Alle genannten Preise verstehen sich zzgl. aktuellem Materialteuerungszuschlag und gesetzlicher MwSt. Preise inkl. Kupfer.
 All prices are quoted exclusive of material surcharge and statutory VAT. Prices include Chopper.

Standard Spezifikationen • Aluminium und Grauguss

ATG Drehstrom-Käfigläufermotor

1. Spannung

Der ATG Drehstrom-Käfigläufermotor wird mit einer hochwertigen Mehrbereichsspannung-Wicklung geliefert. Standard Spannung bis 3 kW = 220–240 Volt Δ /380–420 VY bei 50 Hz bzw. 220–280 V Δ /380–480 VY bei 60 Hz Standard Spannung ab 4 kW = 380–420 Volt Δ /660–720 VY bei 50 Hz bzw. 380–480 V Δ /660–830 VY bei 60 Hz. Für Motoren nach DIN EN60034-1 gilt eine Spannungstoleranz von $\pm 5\%$ /Frequenztoleranz $\pm 2\%$, bei deren Ausnutzung die zulässige Grenztemperatur der Wärmeklasse um 10 K überschritten werden darf. Andere Spannungen und Frequenzen werden auf Anfrage angeboten.

2. Qualitätsnormen

Die Motoren entsprechen folgenden neuesten IEC- bzw. Euro-Normen: IEC/EN 60034.

3. Leistung

Die Nennleistung gilt für Dauerbetrieb nach IEC/EN 60034 bei einer Frequenz von 50 Hz, einer Kühlmitteltemperatur von 40°C und einer Aufstellungshöhe bis 1000 m über NN.

4. Isolierung

ATG-Motoren werden standardmäßig in Isolationsklasse „F“ ausgeliefert. Die Wicklungen sind tropenisoliert.

5. Schutzart

Serienmäßig werden ATG-Motoren in Schutzart IP55 (Schutz gegen schädliche Staubablagerungen, Schutz gegen Strahlwasser aus allen Richtungen) ausgeführt. Bei Außenaufstellung mit Wellenende nach unten, ist ein Schutzdach zu empfehlen. Höhere Schutzarten auf Anfrage.

6. Lagerung

ATG-Motoren sind standardmäßig mit hochwertigen, lebensdauer geschmierten Kugellagern namhafter Hersteller (wie SKF oder NSK) ausgerüstet. Unter durchschnittlichen Betriebsbedingungen kann eine Lebensdauer von 100.000 Betriebsstunden erreicht werden. Im Wesentlichen wird die Lagerlebensdauer von der Lagergröße, der Lagerbelastung, den Betriebsbedingungen, der Drehzahl und der Fettgebrauchdauer bestimmt. Hierfür bieten wir dementsprechende Überholungen und Überprüfungen in unserem Reparaturwerk oder direkt vor Ort an. Die nominelle Lagerlebensdauer in waagerechter Bauform beträgt bei Kupplungsbetrieb ohne axiale Zusatzlasten mind. 40.000 Betriebsstunden und bei Ausnutzung der maximalen zulässigen Belastung mind. 20.000 Betriebsstunden. Dabei ist ein Betrieb am 50 Hz Netz zu Grunde gelegt. Bei Betrieb am Umrichter mit höheren Frequenzen reduziert sich die nominelle Lagerlebensdauer. Außer den Standardlagern können auch kurzfristig auf Kundenwunsch andere Lager eingebaut werden.

7. Gehäuseausführung

Klemmenkastenlage variabel durch problemloses Umschrauben der Füße bei allen Aluminium-Gehäusen. Bei Grauguss-Gehäuse Klemmenkasten standardmäßig oben. Auf Anfrage können Klemmenkästen auch links oder rechts geliefert werden.

8. Kühlung und Belüftung

ATG-Motoren werden in der Standardausführung nach IC 411 gekühlt. Dies bedeutet, dass Radiallüfter unabhängig von der Drehrichtung des Motors den Luftstrom von der Nichtantriebsseite über die Kühlrippen zur Antriebsseite blasen. Fremdlüfter für alle Baugrößen optional auf Anfrage ab Lager lieferbar.

9. Wicklungsschutz

Ab Baugröße 80 sind standardmäßig 3 Kaltleiter zur Temperaturüberwachung eingebaut. Bimetall/PT100 oder andere Wicklungsüberwachung optional auf Anfrage kurzfristig lieferbar. Für niedrigere Baugrößen Nachrüstung des Wicklungsschutzes ohne Probleme möglich.

10. Farbe

Für unsere Kunden bevorraten wir vier Standardanstriche RAL 7030 (steingrau), RAL 7035 (licht-grau), RAL 9006 (weiß-aluminium) und RAL 5002 (ultramarinblau). Eventuell sind manche Baugrößen nur in einem Anstrich kurzfristig lieferbar. Mehrpreis für Sonderlackierung nach Kundenwunsch möglich. Wir verwenden „Moderate“ Lacke für Innen- und Freiluftbereich.

11. Gewährleistung

Maximal 12 Monate im Einschichtbetrieb nach Übergabe.

12. Optionen

Weitere Optionen auf Anfrage.

Wir beraten Sie gerne!

Technische Änderungen und Irrtümer vorbehalten.

Standard specifications • aluminium and cast iron ATG asynchronous motor

1. Voltage

The ATG asynchronous motor is provided with a high quality multitension electric coil. Standard Voltage up to 3 kW = 220–240 Volt Δ /380–420 VY, 50 Hz and 220–280 V Δ /380–480 VY, 60 Hz Standard Voltage from 4 kW = 380–420 Volt Δ /660–720 VY, 50 Hz and 380–480 V Δ /660–830 VY, 60 Hz. For motors according to DIN EN60034-1 standards applies a voltage-tolerance of $\pm 5\%$ and a frequency-tolerance of $\pm 2\%$. The utilization of these tolerances must not exceed the category temperature by 10 K. Other voltages and frequencies are offered on request.

2. Quality Standards

The motors correspond to the latest IEC- and Euro-Standards: IEC/EN60034.

3. Power

The effective output applies to long-term usage for IEC/EN 60034 at 50 Hz and a cooling liquid temperature of 40 °C (104 °F) and an altitude up to 1000m above sea level.

4. Isolation

ATG-motors are provided with insulation class “F” by default. The electric coil is tropicalised.

5. Protection Class

ATG-motors with protection class IP55 (protection against harmful dust deposits, protection against splash water from all sites). When the motor is located outside with shaft downward a shelter is recommended. Higher protection classes are offered on request.

6. Bearing

ATG-motors are provided with high quality, lifetime lubricated bearings of nameable producers (like SKF or NSK) by default. It is possible to get a service life of 100.000 operating hours under average operating conditions. The lifetime of the bearings is essentially regulated by the size, load, service conditions, speed and the lubrication of the bearing. Therefore we have a service for check and repair in our own repair station or direct on site. The nominal lifetime of the horizontal model without axial additional load is at least 40.000 operating hours and with maximum allowed additional load is at least 20.000 operating hours with 50 Hz. When operated with a frequency converter with higher frequencies, the nominal lifetime of the bearings is reduced. It is certainly possible to change the bearings for special operations and other loads in no time.

7. Casing

The location of the terminal box is variable by screwable feet for all aluminium body. The location of the terminal box for cast iron body is on the top by default. But they can be delivered with the terminal box attached on the right or on the left on request.

8. Cooling and Ventilation

ATG-motors are cooled by IC 411 standards by default. This means that the radial fan blows the air stream independently of the rotating direction from the non-drive-side over the cooling web to the drive-side.

9. Winding Shield

From manufacturing size 80 there are three built in PTC thermistors by default. Bimetal/PT100 or other electric coil monitoring devices could be provided on request. It is possible to refit the winding shield in smaller manufacturing sizes without any problems.

10. Colour

For our customers, we stocked four standard painting RAL 7030 (stone gray), RAL 7035 (light gray), RAL 9006 (white-aluminium) and RAL 5002 (ultramarine blue). Eventually, some sizes are only stocked with one colour. Additional price for special coating to customer request. We use “moderate” paint for indoor and outdoor area.

11. Guarantee

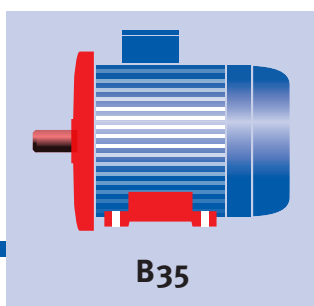
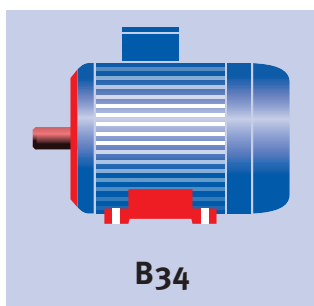
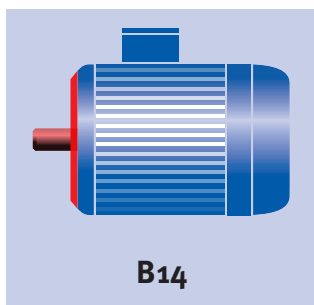
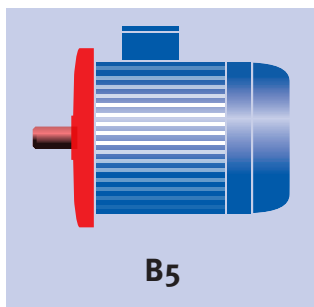
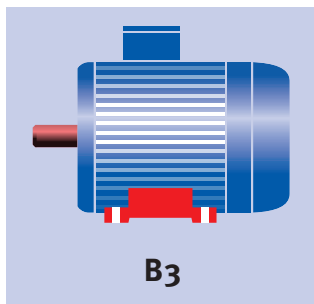
Maximum warranty of 12 months at one-shift operation is guaranteed after delivery.

12. Options

Further options on request. Please contact us. Technical changes or errors reserved.

Unser AC Motoren-Sortiment und was Sie darin finden

Our range of AC motor and what you'll find inside



Standardausführungen / Standard explanation

- **IE1** Energiespar-Motor / IE1 Energy saving motor
- **IE2** Energiespar-Motor hocheffizient / IE2 high efficiency energy saving motor
- **IE3** Energiespar-Motor Premium / IE3 premium energy saving motor
- **IE4** Energiespar-Motor Super Premium / IE4 super premium energy saving motor

Drehzahlen / Speed

- 3000 U/min • 3000 rpm • 1500 U/min • 1500 rpm
- 1000 U/min • 1000 rpm • 750 U/min • 750 rpm

Bauformen / Fastening

- B3 Fußbauform / Feet • B5 Flanschbauform / Flange • B14 Flansch Gewindebohrung / Flange tap hole • B35 Fuß mit Flansch / Feet with flange • B34 Fuß mit Flansch Gewindebohrung / Feet with flange tap hole

Leistungen / Power

- in Aluminium: 0,06 kW bis 11 kW (Baugröße 56–132) IE4 bis BG112
in aluminium: 0,06 kW up to 11 kW (size 56–132) IE4 up to size 112
- in Grauguss: 11 kW bis 315 kW (Baugröße 160–355 L) IE4 \geq 132
in cast iron: 11 kW up to 315 kW (size 160–355 L) IE4 \geq 132

Sonstiges / Other

- in Aluminium: Klemmkasten oben, ummontierbar nach links oder rechts / in aluminium: terminal box on top, changeable to left or right
- in Grauguss: Klemmkasten oben, gegen Mehrpreis seitlich / in cast iron: terminal box on top, price on application for terminal box on the side

Motor nicht gefunden? Can't find the motor you need?

Wir sind auch der Spezialist für Sonderanfertigungen. Fragen Sie an! We are also specialised in custom manufacturing. Just send us your inquiry!

Neue EU-Richtlinie 2009/125/EG Welche Motoren sind betroffen?

| | EU-Richtlinie 2009/125/EG gültig ab 01. Juli 2021 |
|--------------------|---|
| Beschreibung | Die EU-Richtlinie muss in allen EU-Ländern in nationales Recht umgesetzt werden. |
| Polanzahl | 2, 4, 6, 8 |
| Leistungsbereich | 0,12 – 1.000 kW |
| Level | IE1 - Standard Efficiency IE2 - High Efficiency IE3 - Premium Efficiency IE4 - Super-Premium Efficiency |
| Spannung | 100 V bis 1000 V, 50/60 Hz |
| Schutzart | alle |
| Motoren mit Bremse | JA (außer integrierte Bremse) |
| Getriebemotoren | JA |
| Ex-Motoren | NEIN (Ex-eb-Motoren ab 01.07.2023) |
| Gültigkeit | "Ökodesign"-Richtlinie 2009/125/EG ist eine Überarbeitung der Verordnung (EG) Nr. 640/2009. Die Verordnung (EG) Nr. 640/2009 wird mit Wirkung vom 01. Juli 2021 aufgehoben. |

Ausnahmen in der EuP

- Motoren, die dafür ausgelegt sind, ganz in eine Flüssigkeit eingetaucht betrieben zu werden;
- vollständig in ein Produkt (z. B. ein Getriebe, eine Pumpe, einen Ventilator oder einen Kompressor) eingebaute Motoren, deren Energieeffizienz nicht unabhängig von diesem Produkt erfasst werden kann;
- Motoren, die speziell für den Betrieb unter folgenden Bedingungen ausgelegt sind:
 - in Höhen über 4000 Meter über dem Meeresspiegel;
 - bei Umgebungstemperaturen über 60 °C;
 - bei Betriebshöchsttemperaturen über 400 °C;
 - bei Umgebungstemperaturen unter – 30 °C
 - bei Kühlflüssigkeitstemperaturen am Einlass eines Produkts unter 0 °C oder über 32 °C;

- in explosionsgefährdeten Bereichen im Sinne der Richtlinie 2014/34/EU des Europäischen Parlaments und des Rates;

- Bremsmotoren mit integrierter Bremse
- speziell für den Antrieb von E-Fahrzeugen
- polumschaltbare Motoren
- Motoren in Hand-, kabellosen, oder batteriebetriebenen Geräten
- vollständig geschlossene selbstgekühlte Motoren
- Motoren für Schaltbetrieb S2 ... S9 (Ausnahme S3 und S6 >80%)
- Motoren mit integrierter Drehzahlregelung
- regenerative Antriebe und Antriebe mit sinusförmigem Eingangsstrom

Zu diesen Terminen werden die Änderungen wirksam

ab 01. Juli 2021:

IE3: 3~ 0,75 kW - 1.000 kW; 2, 4, 6, 8 Pole, außer Ex-eb-Motoren

IE2: 3~ 0,12 kW - <0,75 kW; 2, 4, 6, 8 Pole, außer Ex-eb-Motoren

ab 1. Juli 2023:

IE2: Ex-eb-Motoren und 1~ 0,12 kW - 1.000 kW; 2, 4, 6, 8 Pole

IE4: 75 kW - 200 kW; 2, 4, 6 Pole

New EU Regulation 2009/125/EG

Which motors are involved?

| | EU Regulation 2009/125/EG |
|----------------------|---|
| Description | The EU Regulation does apply to all EU countries. |
| Number of poles | 2, 4, 6, 8 |
| Power range | 0,12 – 1.000 kW |
| Level | IE1 - Standard Efficiency IE2 - High Efficiency IE3 - Premium Efficiency IE4 - Super-Premium Efficiency |
| Voltage | 100 up to 1000 V, 50/60 Hz |
| Degree of protection | all |
| Motors with brake | YES (except integrated brake) |
| Geared motors | YES |
| Ex motors | NO (Ex-eb-Motors from 01.07.2023) |
| Validity | "Ecodesign" Directive 2009/125 / EC is a revision of Regulation (EC) No. 640/2009. Regulation (EC) No. 640/2009 will be repealed with effect from July 1, 2021. |

- Especially for driving electric vehicles
- Pole-changing motors
- Motor in handheld, wireless or battery operated devices
- completely closed self-cooled motors
- Motors for intermittent duty S2 ... S9 (exception S3 and S6 >80%)
- Motors with integrated speed control
- Regenerative drives and drives with sinusoidal input current

The changes become effective on these dates

from July 01, 2021

IE3: 3~ 0,75 kW - 1.000 kW; 2, 4, 6, 8 poles, except Ex-eb-Motors

IE2: 3~ 0,12 - <0,75 kW; 2, 4, 6, 8 poles, except Ex-eb-Motors

from July 01, 2023:

IE2: Ex-eb-Motors and 1~ 0,12kW - 1.000 kW; 2, 4, 6, 8 poles

IE4: 75 kW - 200 kW; 2, 4, 6 poles

Exceptions in the EU Regulation

- Motors that have been designed so that they can be operated completely submerged in a liquid;
- Motors that are completely integrated into a product (e.g. a gear unit, a pump, a fan or a compressor) where the motor efficiency cannot be determined independently from this product;
- Motors that have been specifically designed for operation under the following conditions:
 - at altitudes greater than 4000 meters above sea level;
 - at ambient temperatures above 60 °C;
 - at max. operating temperatures above 400 °C;
 - at ambient temperatures below -30 °C
 - at cooling liquid temperatures at the product intake of below 0 °C or above 32 °C;
 - in hazardous zones in the sense of Directive 2014/34/EU of the European Parliament and Council;
- Brake motors with integrated brake

Leitfaden für den sicheren Austausch von IE2 auf IE3

Guidance for safety exchange from IE2 to IE3

- IE3 Motoren haben einen um ca. 21% höheren Anlaufstrom und einen um ca. 20% höheren Einschaltstrom (Spitzenwert), dadurch kann unter Umständen der bisher eingesetzte Motorschutzschalter auslösen. Zudem können die Schütze sich übermäßig erwärmen und in extremen Fällen können die Schützkontakte verschweißen. Wir empfehlen daher eine Anpassung auf IE3 Konformität aller Schalt- und Schutzkomponenten.
 - IE3 Motoren können von den Gehäuseabmessungen abweichen. ATG hat aber darauf geachtet, dass der IE3 Standardmotor die gleiche Achshöhe wie der IE2 Standardmotor aufweist, was den Austausch enorm vereinfacht. Bitte vergleichen Sie dennoch vor einem Tausch die Maße auf www.atg-motor.de
 - ATG hat dabei auch sichergestellt, dass durch eine geschickte Dimensionierung der aktiven Bauteile sowie eine optimale Auswahl der Magnetmaterialien der Drehmomentverlauf über der Drehzahl nicht maßgeblich von den gewohnten Werten abweicht. Jedoch kann in extremen Fällen das etwas geringere Anlaufmoment Probleme bereiten. Bitte berücksichtigen Sie daher das IE3 Anlaufmoment auf www.atg-motor.de.
-
- IE3 motors have a starting current which is approximately 21% higher and a starting current (peak value) which is approximately 20% higher, which may cause to trigger the motor protection switch. In addition, the contactors can overheat excessively and in extreme cases the contactor contacts can be welded. We therefore recommend an adaptation to IE3 conformity of all switching- and protective components.
 - IE3 motors can deviate from the housing dimensions. ATG has ensured that the IE3 standard motor has the same shaft height as the IE2 standard motor, which greatly simplifies the exchange. Nevertheless, please compare the measurements before exchanging at www.atg-motor.de
 - ATG has also ensured that due to a skillful dimensioning of the active components as well as an optimal selection of the magnetic materials, the torque profile above the speed does not deviate significantly from the usual values. However, in extreme cases the slightly lower starting torque can cause problems. Please take into consideration the IE3 starting torque at www.atg-motor.de

Weitere Vorteile der ATG Standard Motoren

Further advantages of ATG standard motors

- Hohe Lebensdauer durch eingebaute SKF Lager
 - Hohe Sicherheit durch 3x eingebaute Kaltleiter 155°C bereits ab BG80, dadurch sicherer Betrieb am Frequenzumrichter gewährleistet
 - Niedrige Schwingungen durch präzise Auswuchtung des Rotors. Standardwuchtung mit halber Passfeder dynamisch ausgewuchtet mindestens Stufe „A“ gemäß DIN ISO 2373
 - Überlastfähig für 2 Minuten mit dem 1,5 fachen Nennstrom
 - für Frequenzumrichterbetrieb ausgelegt bis 500V Nennspannung, ab Baugröße 225 empfehlen wir zusätzlich ein isoliertes Lager auf der B-Seite um Elektroerosion am Lager zu vermeiden.
-
- Long life through built-in SKF bearings
 - High safety due to 3x built-in thermistor 155 ° C already from BG80, this ensuring safe operation at the frequency inverter
 - Low vibration due to precise balancing of the rotor. Standard balancing with half key dynamically balanced at least Stage „A“ according to DIN ISO 2373
 - Overloadable for 2 minutes with 1.5 times rated current
 - Rated for frequency inverter operation up to 500V nominal voltage, from frame size 225 we recommend an insulated bearing on the B side to avoid electrical discharge in the bearing.

Ihr Kundennutzen auf einen Blick

Your benefits at a glance

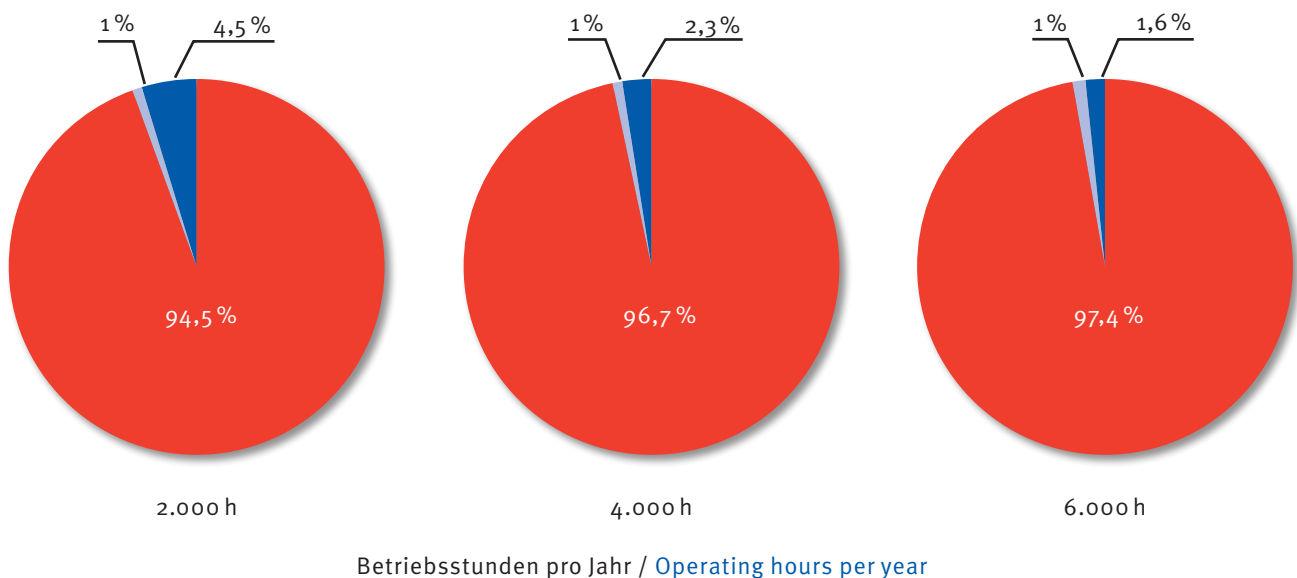
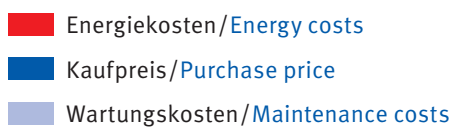
Heute investieren und sofort profitieren durch:/

Invest today and benefit immediately by:

- CO₂-Einsparung und weniger Energieverbrauch / *CO₂-saving and less energy use*
- Hohe Energieeinsparungen verringern die Betriebskosten und erhöhen die Rentabilität / *high energy saving reduce the operating costs and increase the rentability*
- Umweltverträglichkeit als Imageargument / *Environmental impact as image argument*
- Wertsteigerung Ihrer Anlage / *Upgrading your plant*
- kurze Amortisationszeiten / *Short payback period*

Lebenszykluskosten-Betrachtung

Life-cycle costs view



11 kW-Motoren Lebensdauer 15 Jahre, IE₃ (Quelle: Preparatory Studies EUP-lot 11 Motors)
11 kW motors life time = 15 years, IE₃ (source: preparatory studies EUP-lot 11 motors)

Energiekosten Einsparung

Energy cost saving

| Energiekosten Einsparung bei Einsatz eines 55 kW ATG Motor, 4-polig Energy cost saving by using ATG Motor 55 kW, 4 pole | | | | |
|--|--------------------------|--|---|--|
| Bemessungsleistung rated power | 55 kW | | | |
| Betriebszeit p.a. operating hours p.a. | 8760 h / a (max. 8760 h) | | | |
| Energiepreis energy cost | 0,10 € / kWh | | | |
| Effizienzklasse efficiency class | IE1 | IE2 | IE3 | IE4 |
| Wirkungsgrad η efficiency | 92,1 % | 93,5 % | 94,6 % | 95,7 % |
| Energieverbrauch energy consumption | 523.127 kWh / p.a. | 515.294 kWh / p.a. | 509.302 kWh / p.a. | 503.448 kWh / p.a. |
| Energiekosten energy costs | 52.312,70 € / p.a. | 51.529,41 € / p.a. | 50.930,23 € / p.a. | 50.344,80 € / p.a. |
| Einsparungen savings | | 7.832 kWh / p.a. 783,29 € / p.a. ca. 4.699 kg CO ₂ Emission | 13.824 kWh / p.a. 1.382,47 € / p.a. ca. 8.294 kg CO ₂ Emission | 19.679 kWh / p.a. 1.967,90 € / p.a. ca. 11.806 kg CO ₂ Emission |

| Energiekosten Einsparung bei Einsatz eines 11 kW ATG Motor, 4-polig Energy cost saving by using ATG Motor 11 kW, 4 pole | | | | |
|--|--------------------------|--|--|--|
| Bemessungsleistung rated power | 11 kW | | | |
| Betriebszeit p.a. operating hours p.a. | 8760 h / a (max. 8760 h) | | | |
| Energiepreis energy cost | 0,10 € / kWh | | | |
| Effizienzklasse efficiency class | IE1 | IE2 | IE3 | IE4 |
| Wirkungsgrad η efficiency | 87,6 % | 89,8 % | 91,4 % | 93,3 % |
| Energieverbrauch energy consumption | 110.000 kWh / p.a. | 107.305 kWh / p.a. | 105.426 kWh / p.a. | 103.280 kWh / p.a. |
| Energiekosten energy costs | 11.000,00 € / p.a. | 10.730,51 € / p.a. | 10.542,66 € / p.a. | 10.328,00 € / p.a. |
| Einsparungen savings | | 2.694 kWh / p.a. 269,48 € / p.a. ca. 1.616 kg CO ₂ Emission | 4.573 kWh / p.a. 457,33 € / p.a. ca. 2.743 kg CO ₂ Emission | 6.720 kWh / p.a. 672,00 € / p.a. ca. 4.031 kg CO ₂ Emission |

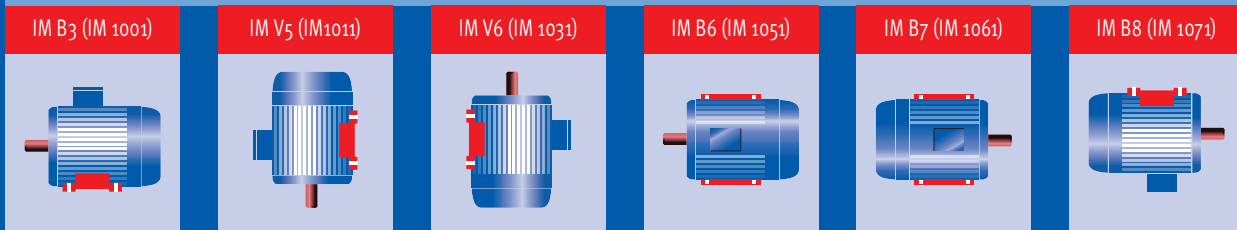
Bauform nach DIN EN 60 034-7

Positionierung und Befestigung der IEC-Motoren

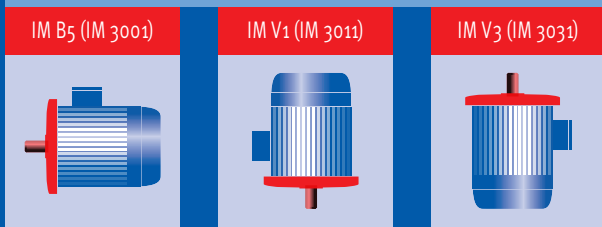
Mounting by DIN EN 60 034-7

IEC-Motors positioning and fastening

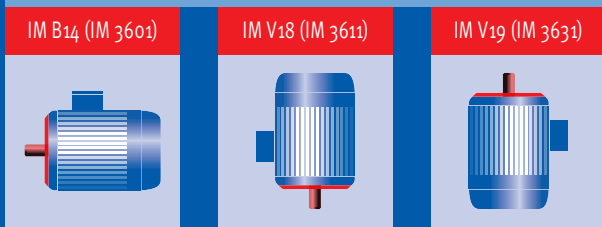
Fussbauform / Feet (B3)



Flanschbauform / Flange (B5)



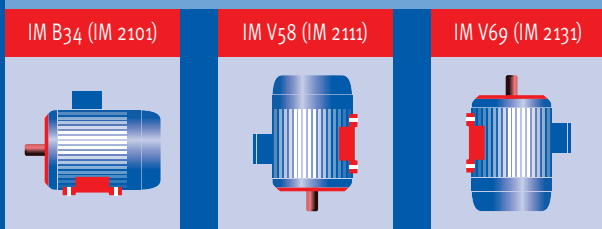
Flanschbauform / Flange (B14)



Fuß-/Flanschbauform / Feet with flange (B35)



Fuß-/Flanschbauform / Feet with flange (B34)



Werner Krauter GmbH
Siemensstraße 2
D-73037 Göppingen
Telefon 07161/9383-0
Telefax 07161/9383-9120
E-Mail info@krauter.de

www.krauter.de

